

• Characteristics

المواصفات

 +35°C +5°C 50/60 Hz	 1 x 2,5 mm ²	 	(*) • LED dimmable			
230 V~	• Max.	125 VA	125 VA	125 VA	125 VA	
	• Min.	3 VA	3 VA	3 VA	5 VA	
110 V~	• Max.	75 VA	75 VA	75 VA	75 VA	
	• Min.	3 VA	3 VA	3 VA	5 VA	

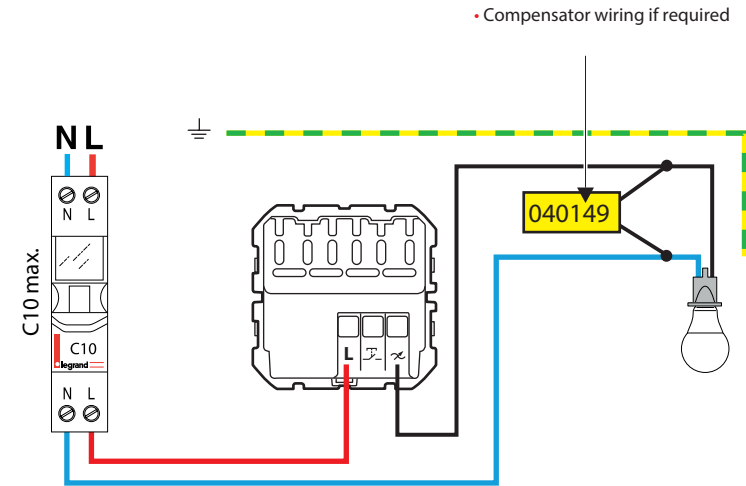
- Do not mix different load models on the same product.
- In case of load malfunction, use the compensator Cat. No. 040149 (not included in this pack)
- (*) 10 bulbs max. For comfortable lighting, we recommend using bulbs of the same type and manufacturer.
- (**) Loads with ferromagnetic transformer have to be used in "leading" mode. See in Settings part. Risk of product breaking.

This dimmer functions only with dimmable bulbs, not connected type (identifiable by the logo on packaging).

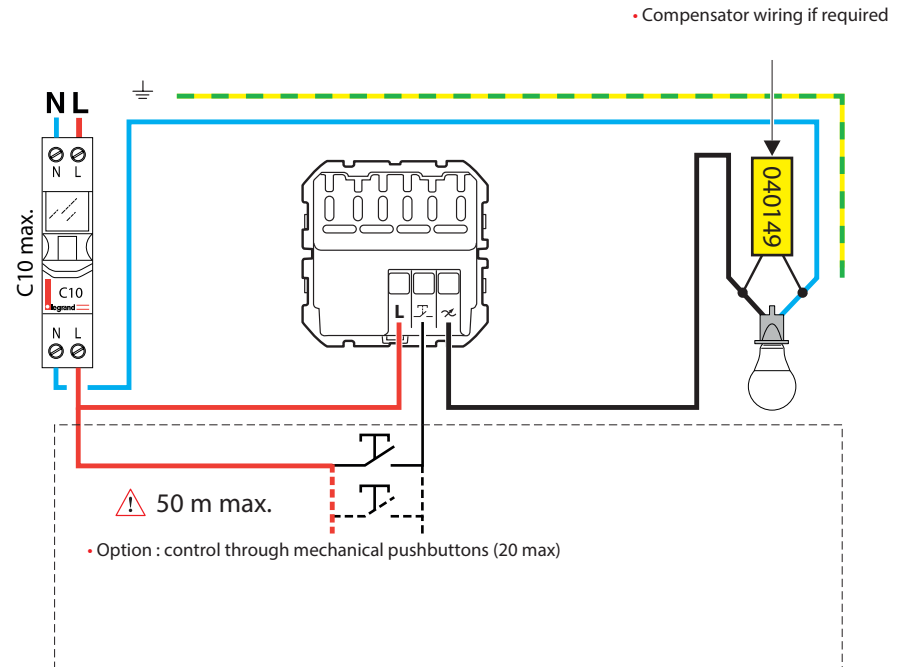


LE14408AA

• Wire the dimmer



• Wiring the dimmer with one more pushbuttons



• Settings: adjustment of lighting thresholds - Indicator/Locator function - Lighting state memory - Trailing/Leading mode

